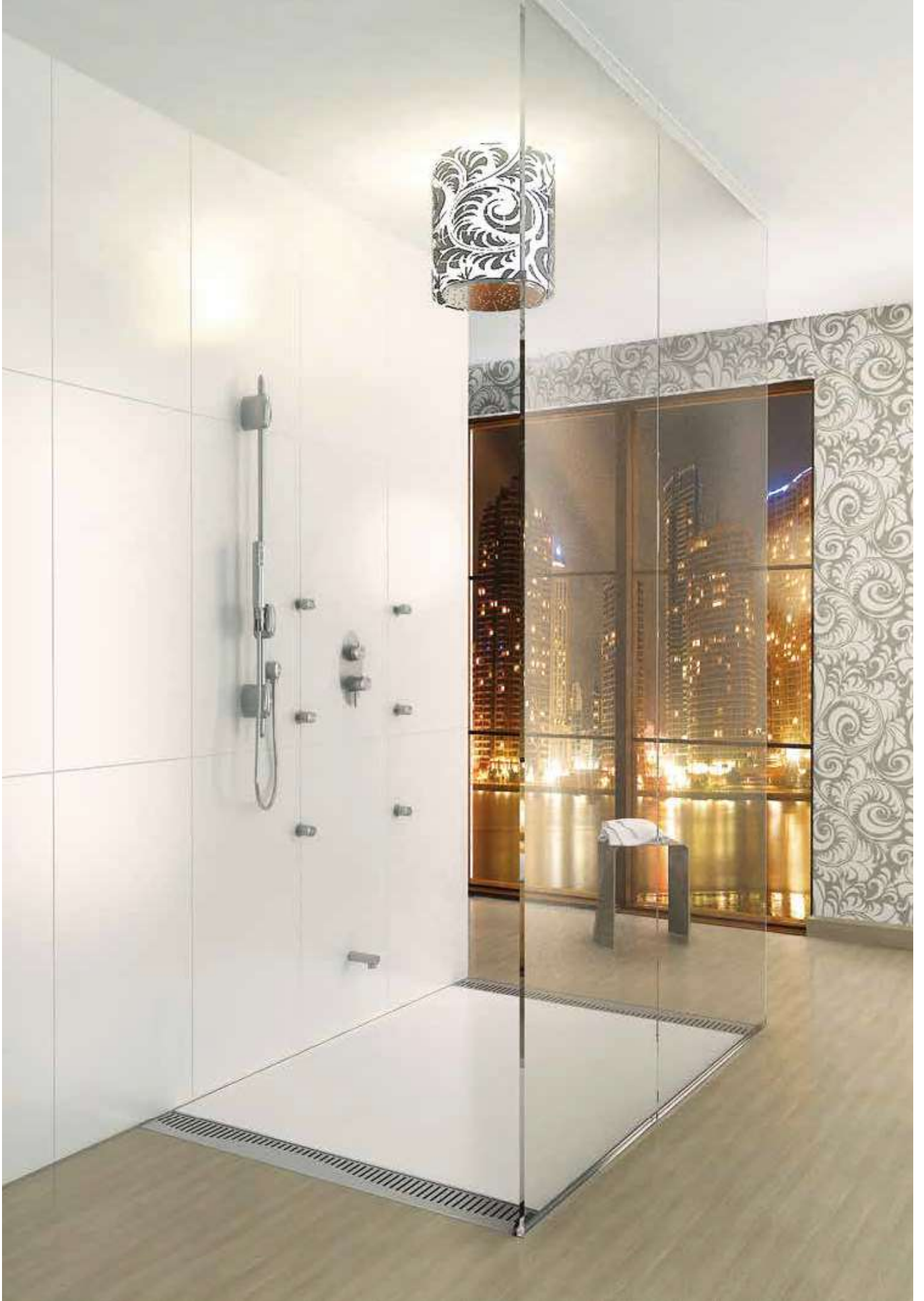
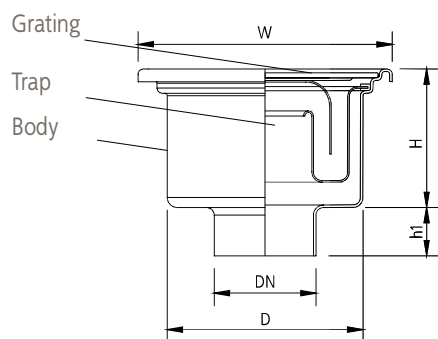


BATHROOM SOLUTIONS



BATHROOM FLOOR DRAINS

BATHROOM FLOOR DRAINS WL100/40 WITH VERTICAL OUTLET



Symbol		WL100/40V1
Catalogue number mat. 304		00.063040.02 - *
Dimensions [mm]	DN	40
	H	54
	H1	-
	h1	20
	D	77
	W	100x100
	hr	2

Number or symbol of the floor drain needs to be completed with the proper grating symbol.



Cerchio - grating symbol C



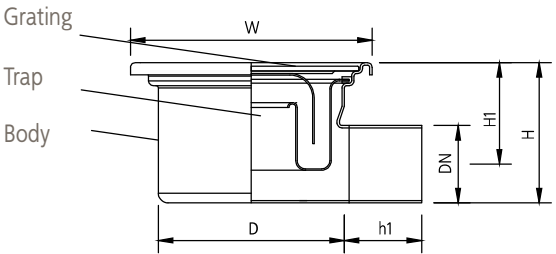
Fiore - grating symbol F



Goccia - grating symbol G

BATHROOM FLOOR DRAINS

BATHROOM FLOOR DRAINS WL100/32 WITH HORIZONTAL OUTLET



Symbol		WL100/32H1
Catalogue number mat. 304		00.064040.02 - *
Dimensions [mm]	DN	32
	H	58
	H1	42
	h1	30
	D	77
	W	100x100
	hr	2

Number or symbol of the floor drain needs to be completed with the proper grating symbol.



Cerchio - grating symbol C



Fiore - grating symbol F

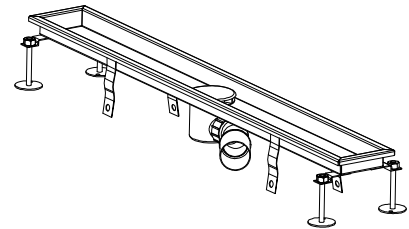
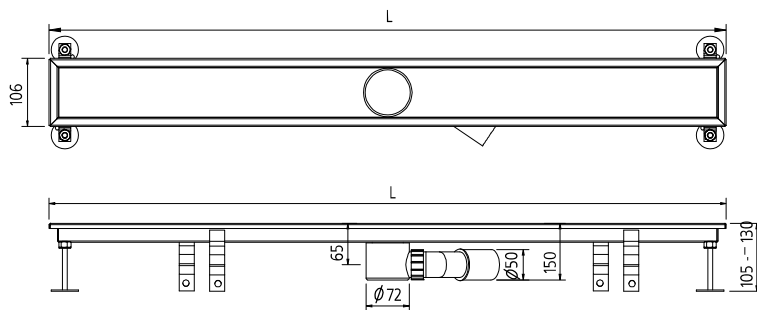


Goccia - grating symbol G

SPA CHANNELS



STANDARD CHANNEL



length	polished	sand-blasted
	catalogue no.	catalogue no.
700 mm	00.106007.01.*	00.106007.02.*
800 mm	00.106008.01.*	00.106008.02.*
900 mm	00.106009.01.*	00.106009.02.*
1000 mm	00.106010.01.*	00.106010.02.*
1200 mm	00.106012.01.*	00.106012.02.*

Catalogue number needs to be completed with the grating symbol given below:



Balena – B



Murena – M



Spigola – S



Goccia – G



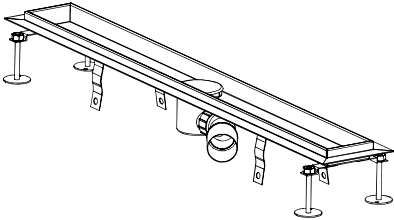
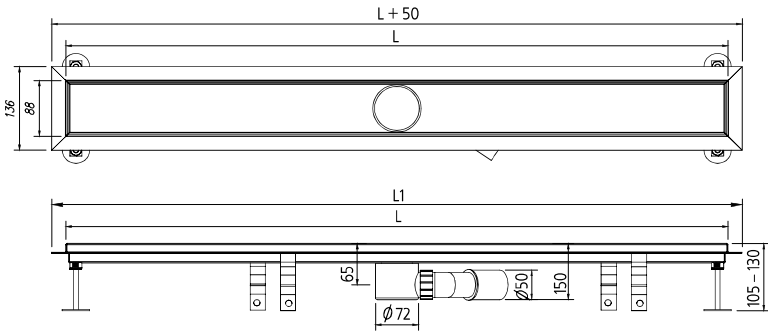
Vipera – V



Pietra – P

SPA CHANNELS

CHANNEL WITH FLANGE



length	polished	sand-blasted
	catalogue no.	catalogue no.
700 mm	00.088007.01-*	00.088007.02-*
800 mm	00.088008.01-*	00.088008.02-*
900 mm	00.088009.01-*	00.088009.02-*
1000 mm	00.088010.01-*	00.088010.02-*
1200 mm	00.088012.01-*	00.088012.02-*

Catalogue number needs to be completed with the grating symbol given below:



Balena - B



Murena - M



Spigola - S



Goccia - G



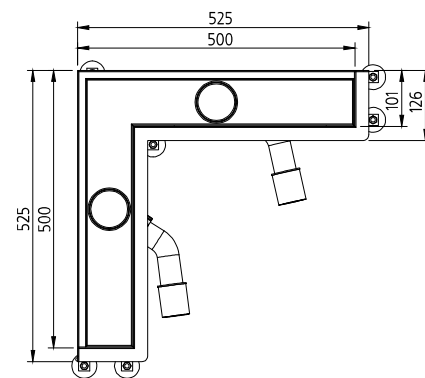
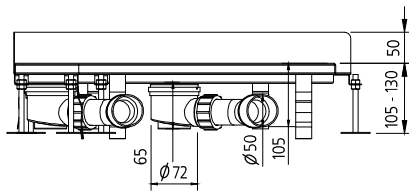
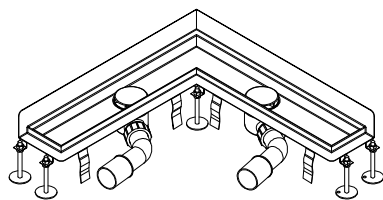
Vipera - V



Pietra - P

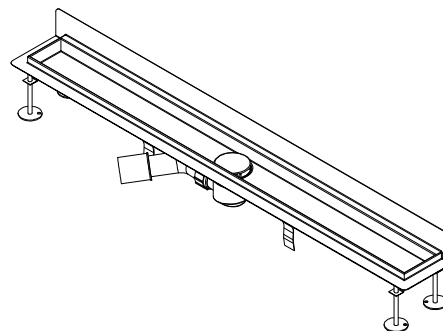
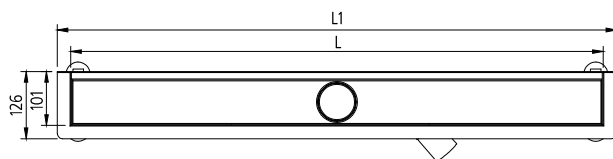
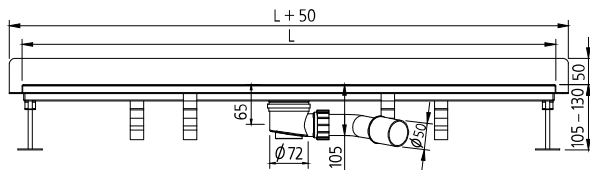
SPA CHANNELS

CORNER CHANNEL



length	polished	sand-blasted
	catalogue no.	catalogue no.
500x500 mm	00.101005.01-*	00.101005.02-*

CHANNEL WITH RISED BACK EDGE



length	polished	sand-blasted
	catalogue no.	catalogue no.
700 mm	00.100007.01-*	00.100007.02-*
800 mm	00.100008.01-*	00.100008.02-*
900 mm	00.100009.01-*	00.100009.02-*
1000 mm	00.100010.01-*	00.100010.02-*
1200 mm	00.100012.01-*	00.100012.02-*

Catalogue number needs to be completed with the grating symbol given below:



Balena – B



Murena – M



Spigola – S



Goccia – G



Vipera – V



Pietra – P