



Manhole Covers Ireland

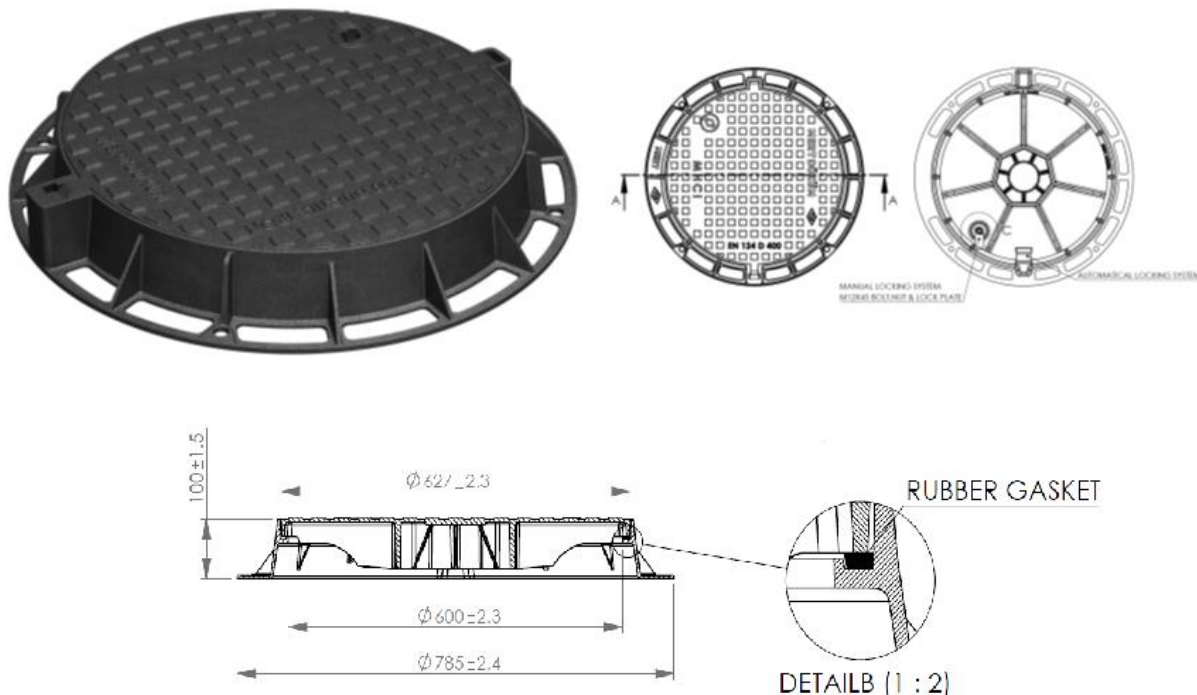
We cover everything!

Portland, Lorrha, Nenagh, Co. Tipperary E45 DH99.

Phone 094 90 33022 Fax 094 92 54970

Email: info@mhcireland.com Website www.mhcireland.com

VEGAS Estate LOCKED D400 Cover & 100H Frame



Inspection manhole cover in Spheroidal cast iron EN- GJS-500-7 conforming to norm UNI EN 1563:2004 with load bearing capacity over 400 kN (40 tons), conforming to the load class D400 as set out by norm EN 124-2 2015.

Product Code	Clear Opening	Overall Size	Frame Height	Waterway Area	Certification
VEGAS Estate	600mm	785mm	100mm	N/A	YES

FRAME

It is circular in shape with a 600mm Clear Opening, with an inside circular passage. It has a Polyethylene gasket placed inside, in order to increase stability and eliminate any rocking or noise. Furthermore, the hinge seating's of the cover have been cast. Externally, the outside border is flanged to optimise its hold in the cement and the insertion of the anchoring bolts. The total Depth of the Frame is 100mm.

COVER

It is circular in shape with an overall diameter of 645mm, hinged to the frame with maximum opening of 120°, with the possibility of removing it without disassembling the hinge. It has an elastic closing -system provided with an elastic bar built into the cover, which creates an automatic opening/closing system. This can be carried out using building clays. A high stability is guaranteed by self-centring guides, placed under the cover with double stops. The upper surface is designed to be non-skid to allow the complete flow of water and avoid the creation of ice.

INTENDED USE

Group 4 – minimum Class D400. For use in areas where cars and lorries have access, including carriageways, hard shoulders and pedestrian areas. (See norm EN 124-2 group 4). THE CHOICE OF THE CORRESPONDENT PRODUCT IS PART OF THE RESPONSIBILITY OF THE PROJECT ENGINEER. The National Roads Authority Design Manual for Roads and Bridges also recommends the use of class E600 for large traffic volumes (in excess of 1,500 vehicles) per day on national roads. IF IN DOUBT, WE SUGGEST TO CHOOSE THE SUPERIOR CLASS OF PRODUCTS.

TREATMENT

The manhole cover has a protective coating of black paint.