



Manhole Covers Ireland

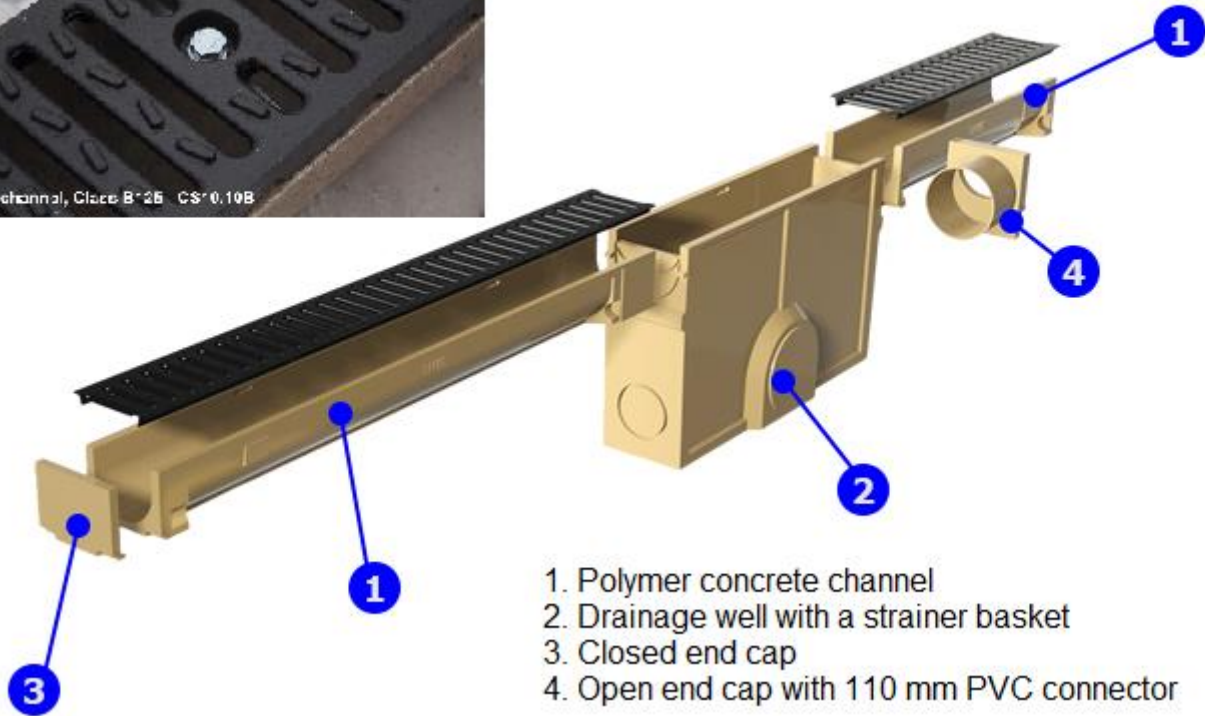
We cover everything!

Lowpark, Charlestown, Co. Mayo. Ireland.

Phone 094 9033 022 Fax 094 925 4970

Email: info@mhcireland.com web Site www.mhcireland.com

Self 100 B125 Grating and Frame



1. Polymer concrete channel
2. Drainage well with a strainer basket
3. Closed end cap
4. Open end cap with 110 mm PVC connector

APPLICATIONS:

- n Pedestrian precincts
- n Kerbside drainage
- n Driveways

CHANNEL MATERIAL SPECIFICATION:

- n Resistance to bending: 22 MPa
- n Resistance to compression: 90 MPa
- n Resistance to heat: 70°C (resin HDT)

Product Code	Length(mm)	Internal Width(mm)	External Width	Total Height	Channel Height
MH-DC- CS10-10B125	1000	100	120	110	100

Description

Light type drainage is intended for domestic areas. Light type SYTEC linear drainage system is intended for class A15 pedestrian traffic areas and class B125 passenger car traffic.

APPLICATIONS

Pedestrian and bicycle routes, soft landscaped areas, parks, green squares, backyards, footpaths, squares, children's play areas, school and nursery school areas.