



Manhole Covers Ireland

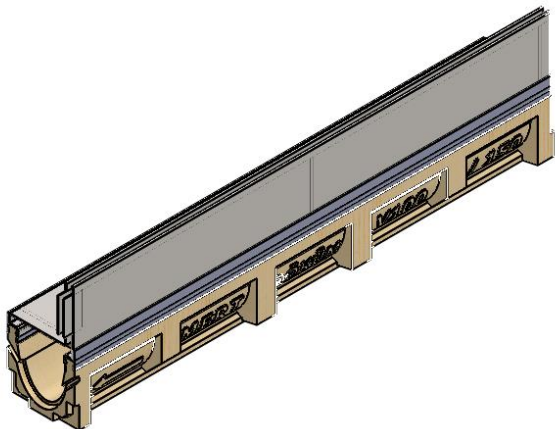
We cover everything!

Lowpark, Charlestown, Co. Mayo, Ireland.

Phone 094 9033 022 Fax 094 925 4970

Email: info@mhcireland.com web Site www.mhcireland.com

V100.00 Polymor Concrete Channel with Galv Edge With D400 L Shape Brickslot Top



Sump Unit 500mm



Closing End Cap



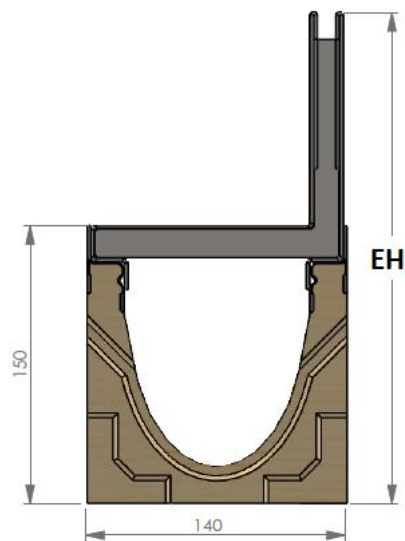
Outlet Endcap

APPLICATIONS:

- n Building entrances
- n Service stations
- n Car parks
- n Pedestrian precincts
- n Kerbside drainage
- n Slow moving light commercial vehicles

CHANNEL MATERIAL SPECIFICATION:

- n Resistance to bending: 22 MPa
- n Resistance to compression: 90 MPa
- n Resistance to heat: 70°C (resin HDT)



The polymer concrete drainage channel is a genuine all-round talent. Thanks to its high-strength steel edge and the longitudinal fixation lugs of the gratings, the drainage system is suitable for practically every application.

For use on industrial areas, Commercial Developments, Retail developments, Footpath drainage, Petrol Forecourt, Residential developments, Schools etc.

- Loading class up to D400
- Edge made of 4 mm galvanised steel

- * Clear width 100mm
- * 100mm Knockout Bottom Outlet

Product Code	Length(mm)	Internal Width(mm)	External Width	Channel Height	External Height (EH)
Slotted 8mm AntiHeel Grating					
MH-DC-E-V100.00-BST	1000	100	140	150	250
MH-DC-E-V100.10-BST	1000	100	140	200	300
MH-DC-E-V100.20-BST	1000	100	140	250	350
MH-DC-E-V100.30-BST	1000	100	140	300	400